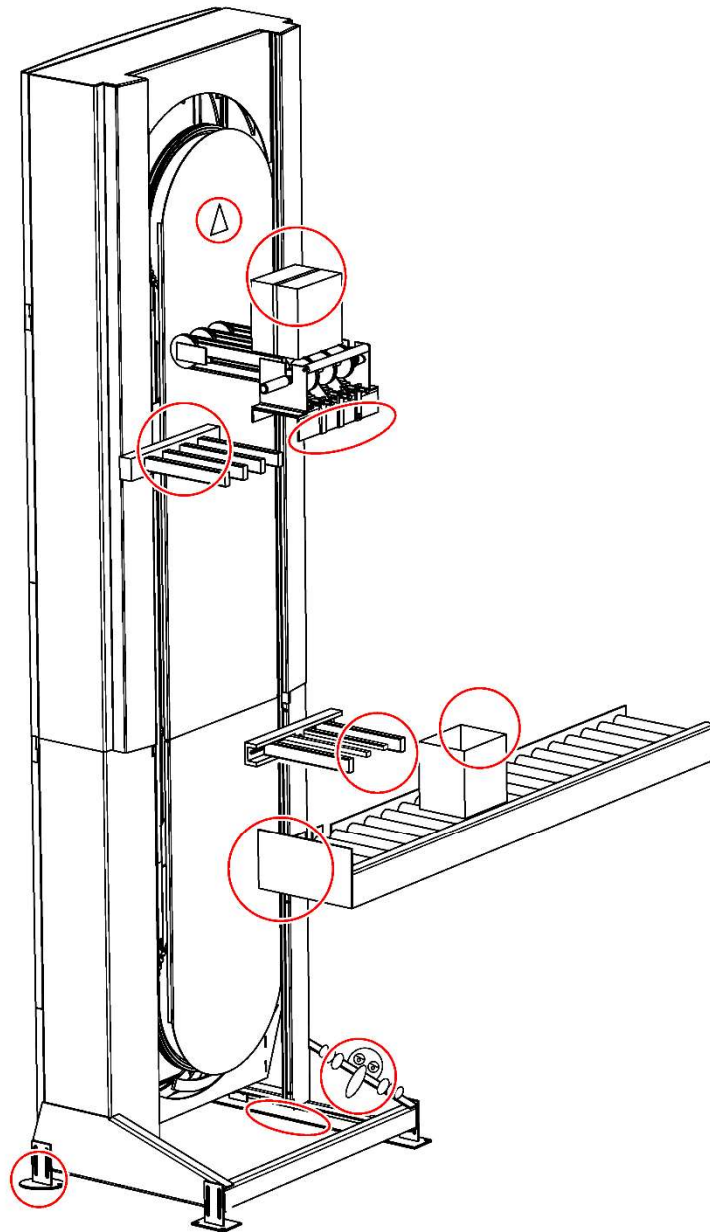


Qimarox[®]

"Zoek de 10 verschillen" oplossing



**ARNOLD &
SIEDSMA**

patents & trademarks